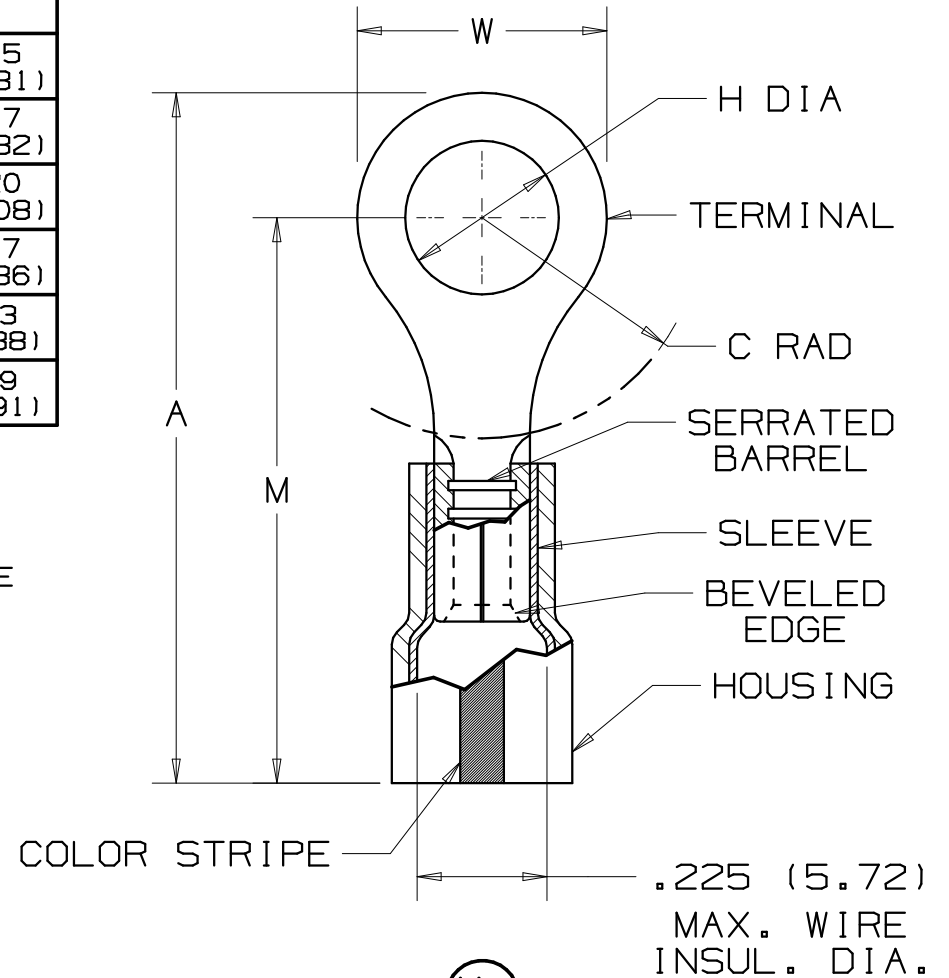


PANDUIT PART NUMBER	STUD SIZE	DIMENSIONS in.				
		A ±.04	W ±.01	C ±.02	M ±.04	H ±.01
PK10-6R	#6	1.06 (26.92)	.37 (9.40)	.33 (8.38)	.87 (22.10)	.15 (3.81)
PK10-8R	#8	1.06 (26.92)	.37 (9.40)	.33 (8.38)	.87 (22.10)	.17 (4.32)
PK10-10R	#10	1.06 (26.92)	.37 (9.40)	.33 (8.38)	.87 (22.10)	.20 (5.08)
PK10-14R	1/4"	1.25 (31.75)	.52 (13.21)	.38 (9.65)	.98 (24.89)	.27 (6.86)
PK10-56R	5/16"	1.25 (31.75)	.52 (13.21)	.38 (9.65)	.98 (24.89)	.33 (8.38)
PK10-38R	3/8"	1.34 (34.04)	.58 (14.73)	.42 (10.67)	1.20 (30.48)	.39 (9.91)

NOTES:

- UL LISTED FOR:
 - A. 600V. MAX. VOLTAGE RATING
 - B. #12-10 AWG SOLID OR STRANDED COPPER WIRE
 - C. 302° F (150° C) MAX. TEMP. RATING
- MATERIAL:
 - A. STAMPING - .04" (1.02) THK COPPER,
 - B. HOUSING - KYNAR INSULATED
COLOR STRIPE- YELLOW
 - C. SLEEVE - BRASS, TIN PLATED
- PACKAGE QTY: STD. PKG. -X =10 -L =50
- DIMENSIONS IN BRACKETS ARE IN MILLIMETERS
- INSTALLATION TOOLS:
 - A. UL LISTED: CT-460, CT-1550, CT-1551,
CT-2400 W/CT-2455CH
 - B. PANDUIT APPROVED: CT-100, CT-160,
A CT-260, CT-550, CT-600
- WIRE STRIP LENGTH: 9/32 ^{+1/32}₋₀ (7.1 ⁺⁸₋₀)



LISTED
587H
E52164

A41299_04

04	10/06	DAW	DAW	ADDED 56R & 38R, ADDED -X PKG. QTY.	TRO0171	TRO	LCA	<p>TINLEY PARK, ILLINOIS</p> <p>#12-10 BARREL KYNAR INSULATED RING TONGUE, .225 (5.72) MAX. WIRE INSULATION DIAMETER</p>
--	----	--	--	REMOVED P/N'S PK10-56R & PK10-38R. ADDED CT-600 TO PANDUIT APPROVED TOOLS. REMOVED BULK PACKAGING FROM NOTE 3.	-----	--	--	
03	7/05	JHNU	LCA		TR00002	TRO	LCA	
02	3/00	JAM	RLS	A WAS CT-250	08323	JM	JCJ	
REV	DATE	BY	CHK	DESCRIPTION	ECN	PM	APP	DRAWN BY EJD
								CHK'D
								SCALE NONE
								DRAWING NO. A41299